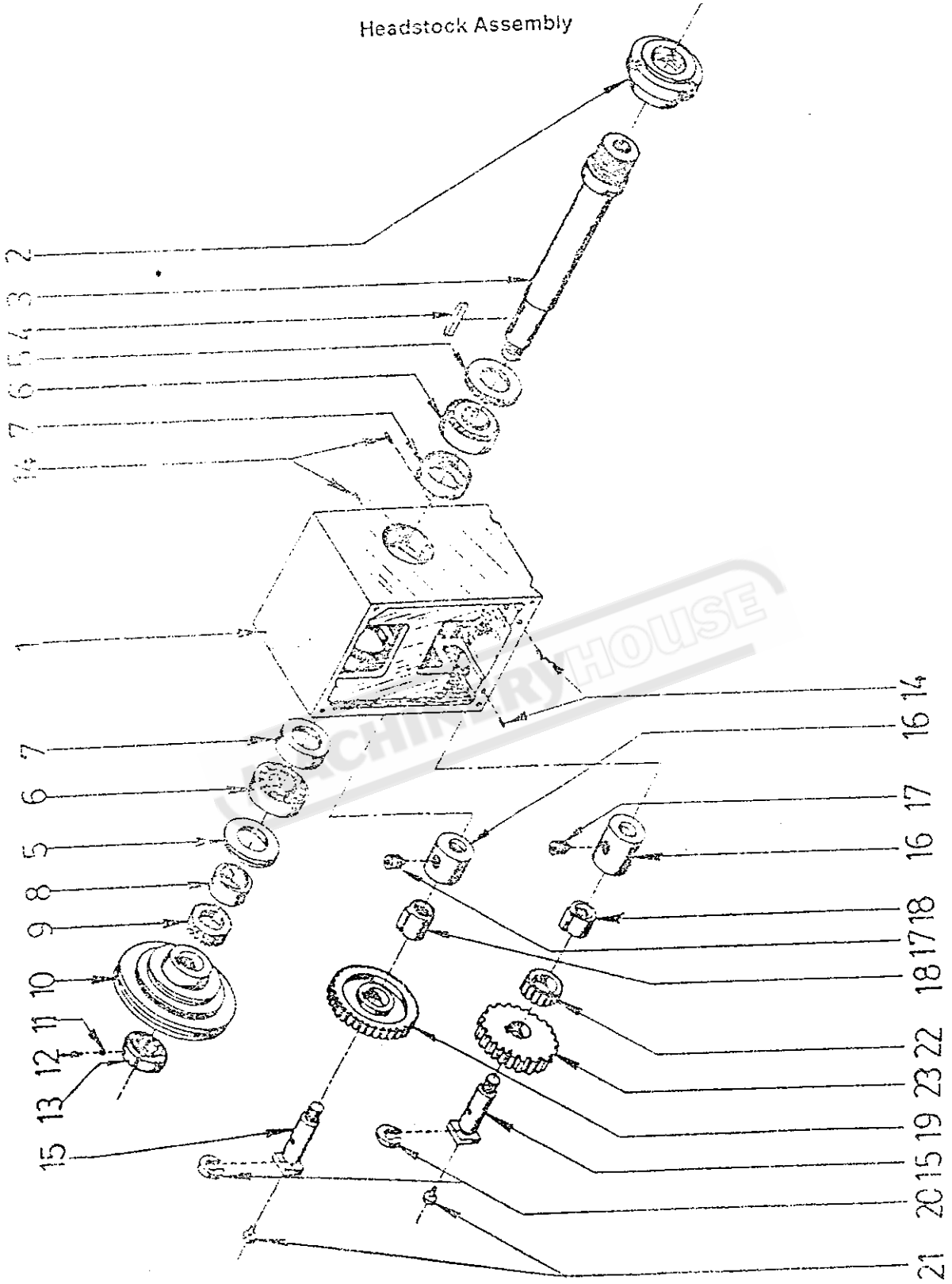


Headstock Assembly



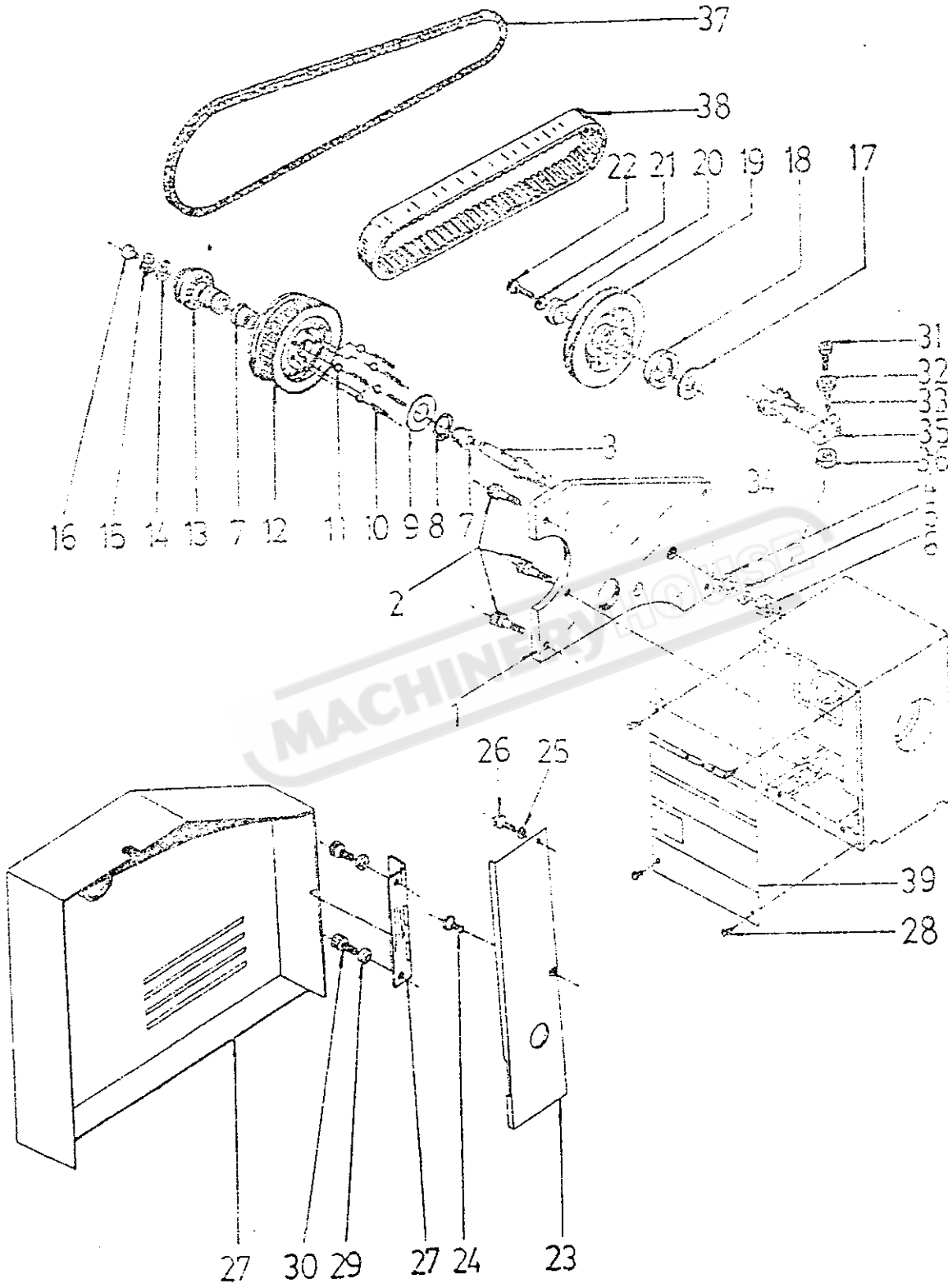
Parts List For the BD-920N Bench Lathe

Please Order by Part Number Only

Headstock Assembly

Index No.	Part No.	Description	Size	Qty.
1	1002	Headstock Casting		1
2	1006	Flange Joint		1
3	1004	Spindle		1
4	BD920N-H04	Key		1
5	1005	Gasket		2
6	BD920N-H06	Ball Bearing		2
7	1003	Cover		1
8	1007	Spacing Ring		1
9	1011	Gear	40T	1
10	1008	Pulley		1
11	1010	Bushing		1
12	TS-152102	Set Screw	M4x5	4
13	1012	Nut	M28	1
14	TS-152104	Set Screw	M4x10	4
15	1017	Shaft		2
16	1015	Spacing Ring		2
17	TS-152102	Set Screw	M4x6	1
18	1016	Bushing		2
19	1014	Gear (plastic)	80T	1
20	1013	Washer		2
21	BD920N-H21	Oil Port		2
22	1018	Gear	40T	1
23	1019	Gear	28T	1

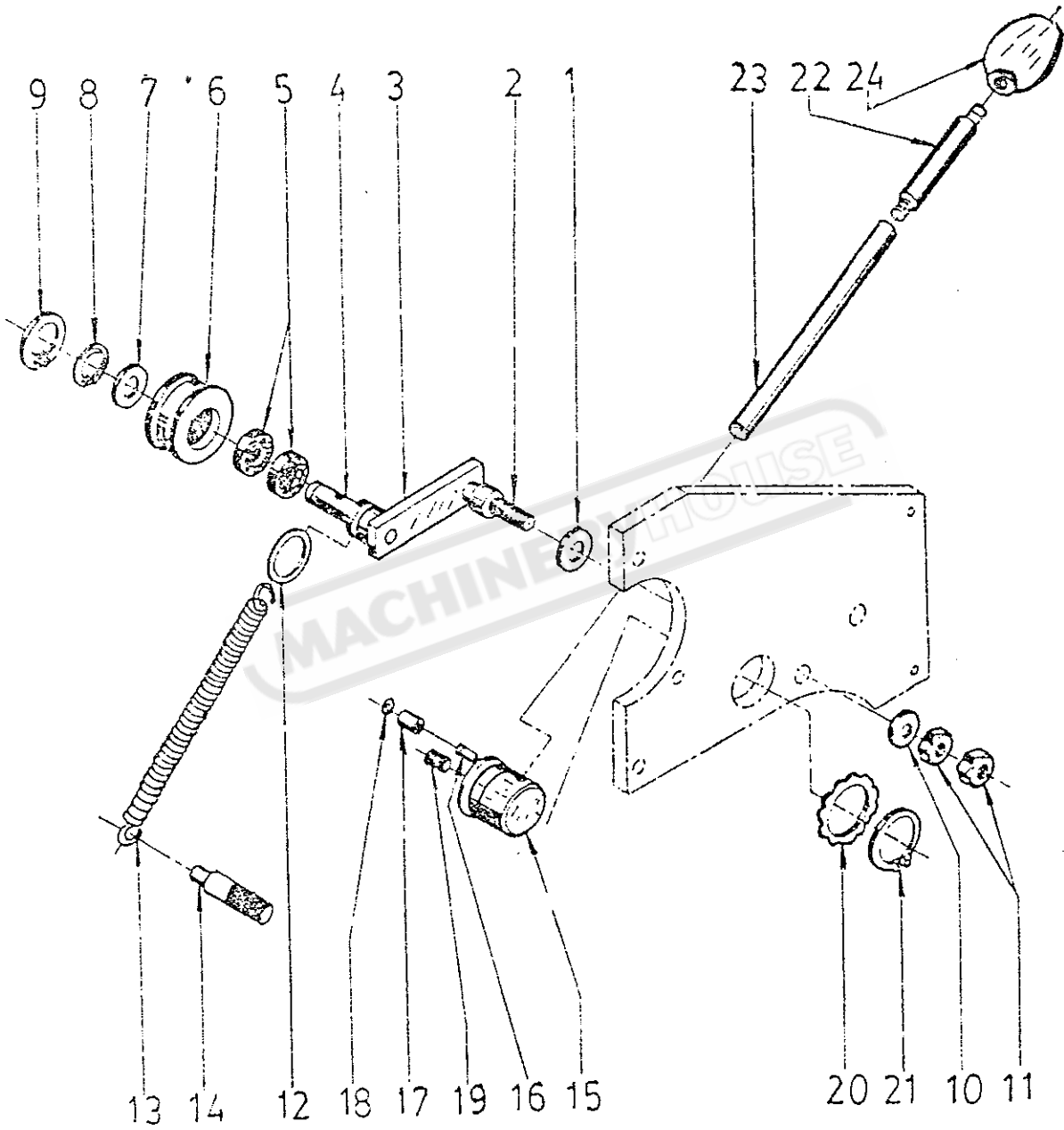
Drive Assembly



Drive Assembly

1	1044	Bracket Plate		1
2	TS-150404	Hex Socket Cap Screw	M8x20	3
3	1026	Belt Pulley Shaft		1
4	TS-1550071	Washer	M10	1
5	TS-1551071	Lock Washer	M10	1
6	TS-1540071	Hex Nut	M10	1
7	1031	Bushing		2
8	BD920N-D08	Snap Ring	.25	1
9	1027	Washer		1
10	1025	Spring		5
11	BD920N-D11	Ball	5	5
12	1024	Pulley		1
13	1029	Pulley		1
14	1028	Washer		1
15	BD920N-D15	Snap Ring	.12	1
16	BD920N-D16	Oil Port	6	1
17	1021	Spacer		1
18	1023	Collar		1
19	1020	Motor Pulley		1
20	1022	Washer		1
21	TS-155104	Lock Washer	M6	1
22	TS-150303	Hex Socket Cap Screw	M6x25	1
23	1040	Cover Plate		1
24	TS-150203	Hex Socket Cap Screw	M5x12	1
25	TS-1550031	Washer	M5	1
26	TS-150201	Hex Socket Cap Screw	M5x8	1
27	1045	Cover w/ Hinge		1
28	TS-150403	Hex Socket Cap Screw	M4x10	4
29	TS-1503041	Washer	M6	2
30	TS-150302	Hex Socket Cap Screw	M5x10	2
31	TS-150303	Hex Socket Cap Screw	M5x25	1
32	TS-1550041	Washer	M6	1
33	1048	Spring		1
34	TS-150305	Hex Socket Cap Screw	M6x20	2
35	1047	Clamp Block		1
36	TS-1540041	Hex Nut	M6	1
37	VB-5M710	V-Belt		1
38	VB-170xL050	Cog Belt		1
39	1001	Plate		1

Tension Roller Assembly

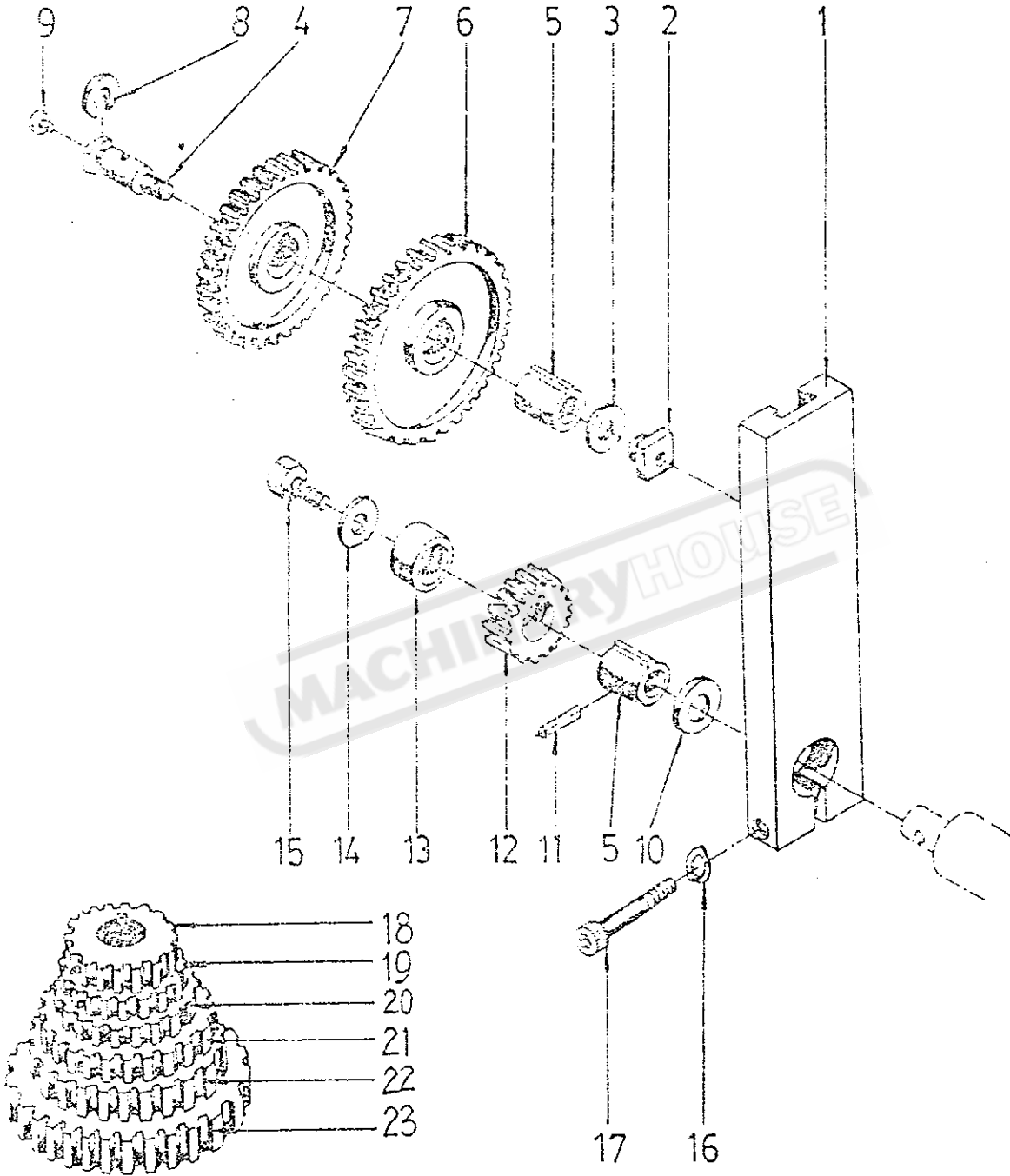


Tension Roller Assembly

1	1040N	Washer		1
2	1035	Stud Bolt		1
3	1035-1	Lever Bracket		1
4	1035-2	Lever		1
5	BD920N-TR05	Ball Bearing		2
6	1039	Roller		1
7	1038	Washer		1
8	BD920N-TR08	Snap Ring	.12	1
9	BD920N-TR09	Snap Ring	.28	1
10	TS-1550071	Washer	M10	1
11	TS-1540071	Nut	M10	2
12	1036	Washer		1
13	1037	Spring		1
14	1050	Stud Bolt		1
15	1032	Toggle		1
16	1051	Pin		1
17	1033	Sleeve		1
18	BD920N-TR18	Snap Ring	.6	1
19	TS-152403	Set Screw	.32	1
20	1034	Wave Washer		1
21	BD920N-TR21	Snap Ring		1
22	1042	Lever		1
23	1043	Lever		1
24	1044A	Knob		1

MACHINERYHOUSE

Quadrant Assembly



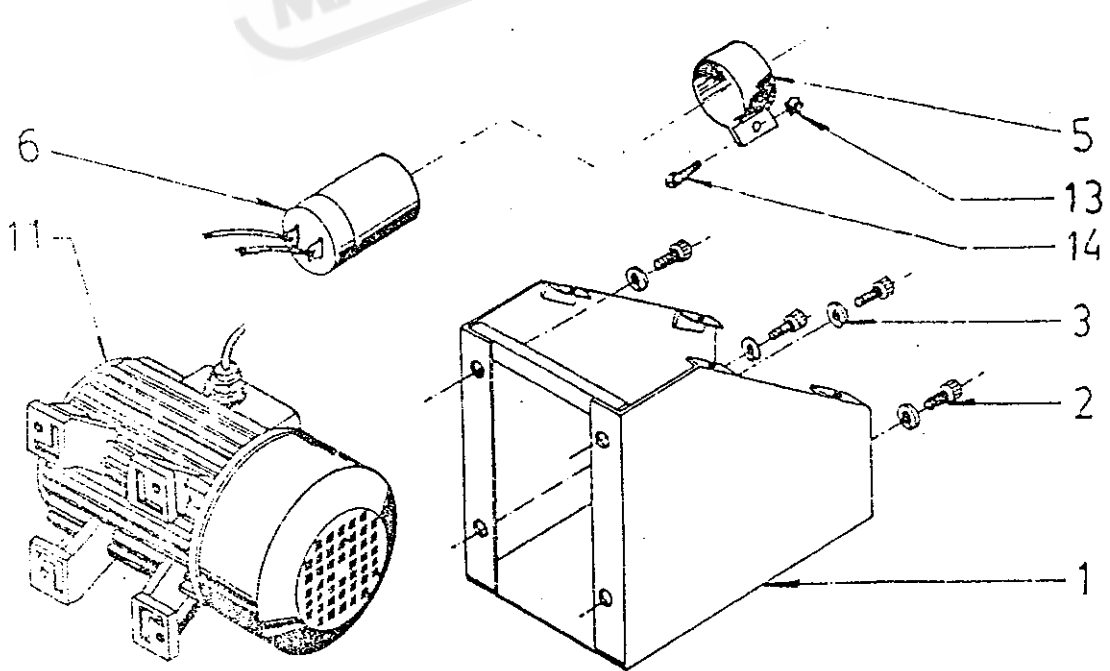
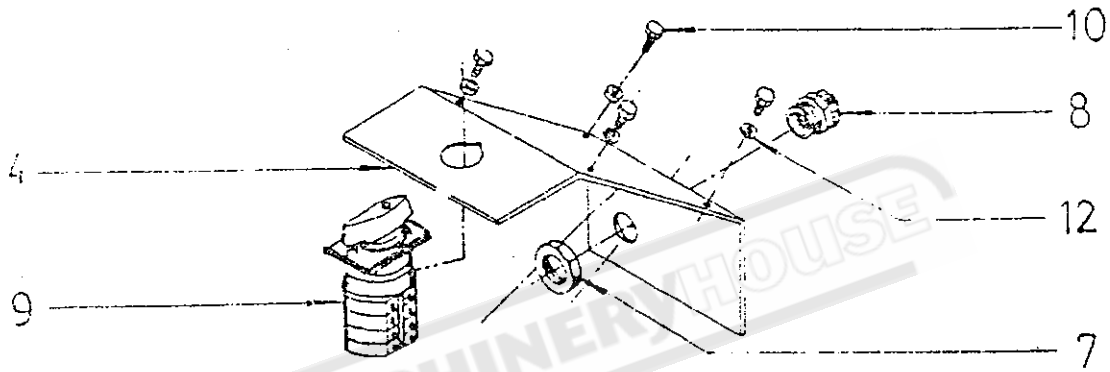
Quadrant Assembly

1	2003	Bracket		1
2	2004	T-Nut		1
3	TS-1550041	Washer	M6	1
4	2005	Shaft		1
5	2009	Bushing		2
6	2001	Gear	127T	1
7	2002	Gear	120T	1
8	2006	Washer		1
9	BD920N-Q09	Oil Port	6	1
10	TS-1550071	Washer	M10	1
11	BD920N-Q11	Pin	4x14	1
12	2007	Gear	30T	2
13	2008	Spacing Ring		1
14	TS-1550041	Washer	M6	1
15	TS-150302	Hex Socket Cap Screw	M6x10	1
16	TS-155104	Lock Washer	M6	1
17	TS-150308	Hex Socket Cap Screw	M6x35	1
18	2010	Gear	28T	1
19	2011	Gear	36T	1
20	2012	Gear	42T	1
21	2013	Gear	45T	1
22	2014	Gear	60T	1
23	2015	Gear	80T	1

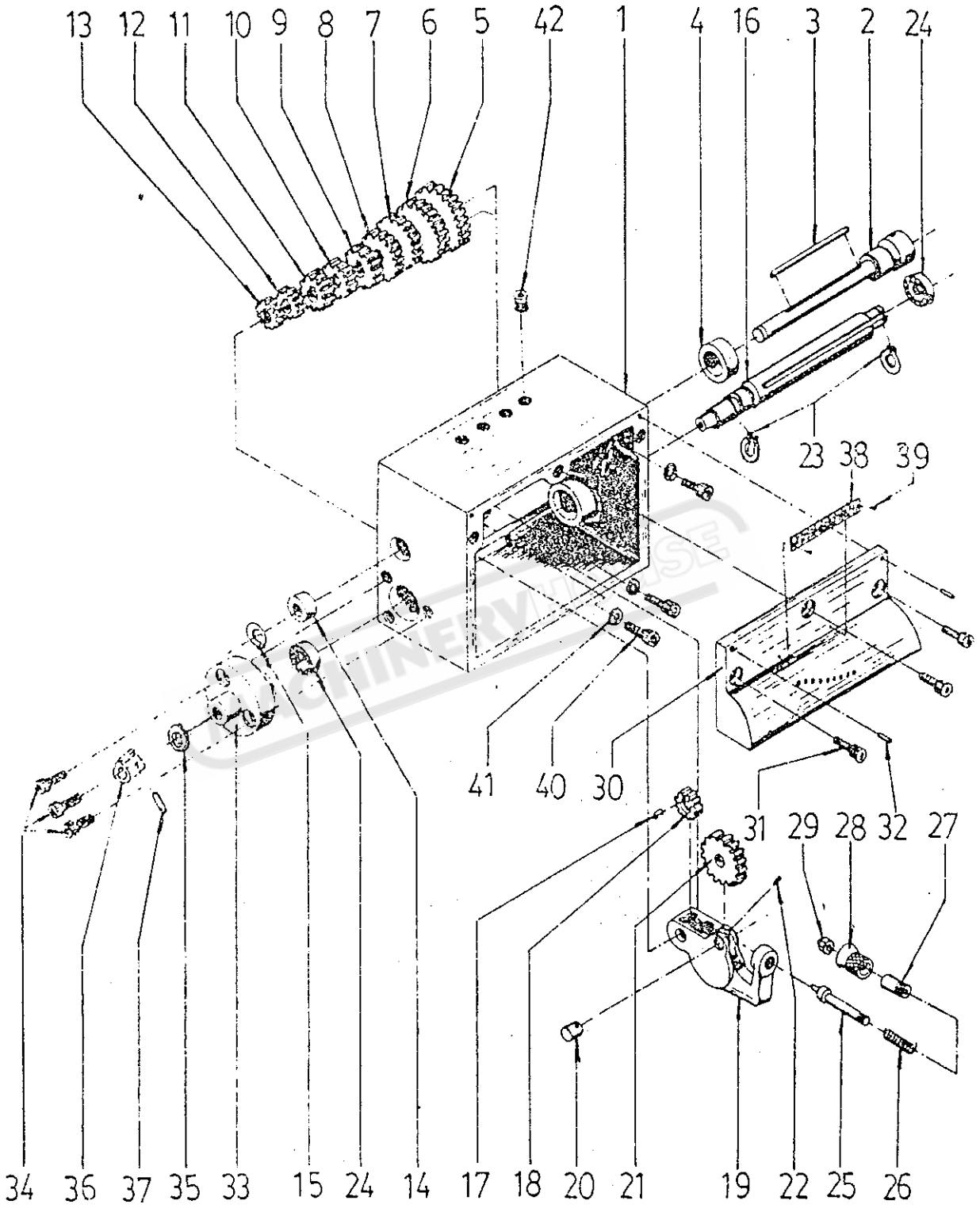
MACHINERYHOUSE

Electrical Assembly

1	10002	Housing	1
2	BD920N-E02	Screw	4
3	BD920N-E03	Lock Washer	4
4	10001	Cover	1
5	BD920N-E05	Condenser Clip	1
6	BD920N-E06	Condenser	1
7	BD920N-E07	Lock Nut	1
8	BD920N-E08	Screw Coupling	1
9	BD920N-E09	Switch	1
10	BD920N-E10	Hex Screw	4
11	BD920N-E11	Motor	1
12	TS-159103	Lock Washer	M5 4
13	TS-1540531	Nut	M5 1
14	TS-150302	Hex Socket Cap Screw	M5x10 1



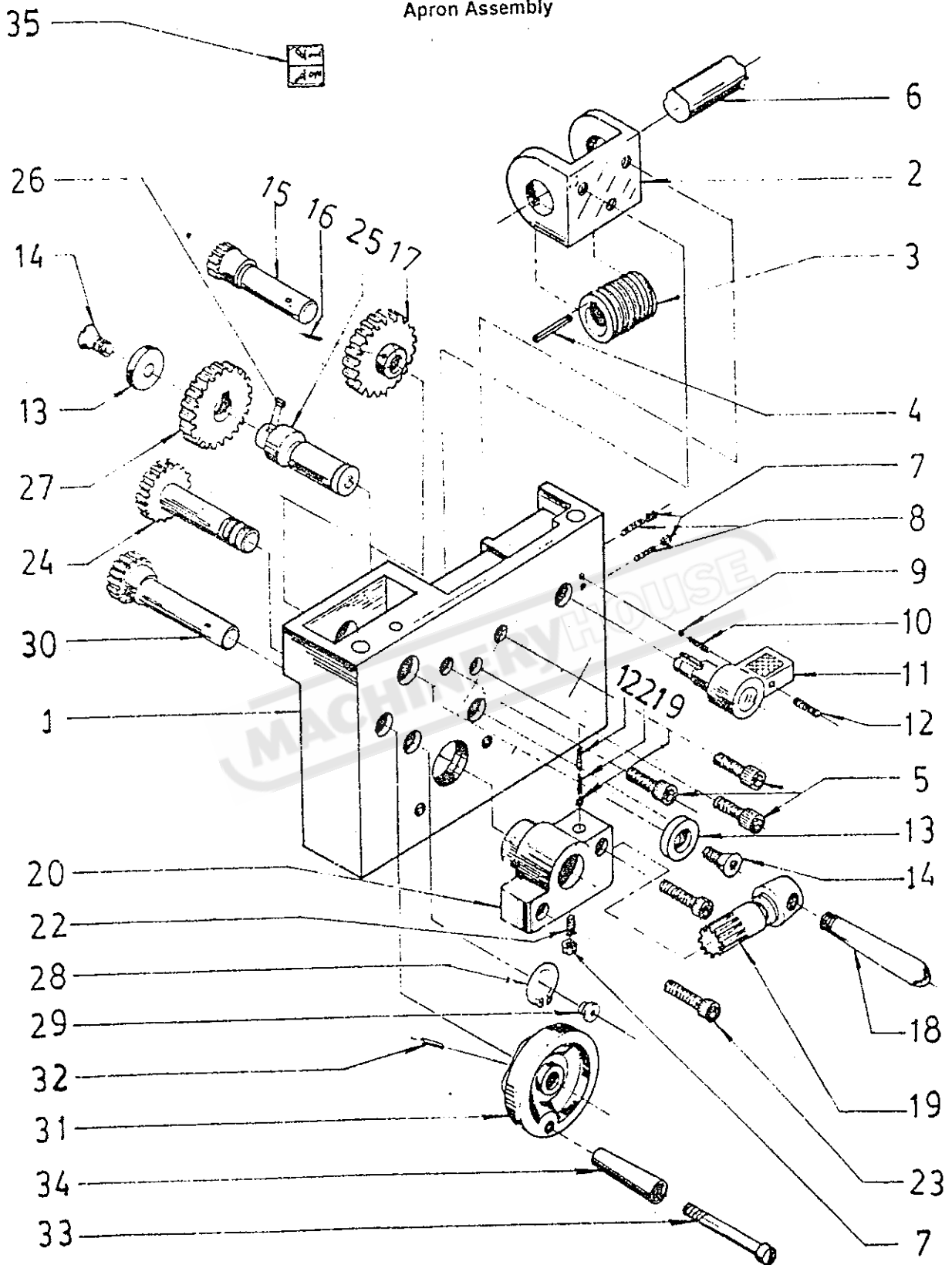
Gear Box Assembly



Gear Box Assembly

1	3001	Gear Box Casting		1
2	3009	Shaft		1
3	BD920N-GB03	Key		1
4	3019	Bushing		1
5	3018	Gear	.28T	1
6	3017	Gear	.26T	1
7	3016	Gear	.24T	1
8	3015	Gear	.23T	1
9	3014	Gear	.22T	1
10	3013	Gear	.20T	1
11	3012	Gear	.19T	1
12	3011	Gear	.18T	1
13	3010	Gear	.16T	1
14	3025	Bushing		1
15	BD920N-GB15	Snap Ring	.16	1
16	3020	Shaft		1
17	BD920N-GB17	Key		1
18	3021	Gear	.16T	1
19	3002	Shift Arm		1
20	3007	Shaft		1
21	3023	Gear	.36T	1
22	TS-152203	Set Screw	M5x10	1
23	BD920N-GB23	Snap Ring	.15	2
24	BD920N-GB24	Ball Bearing		2
25	3004	Plunger		1
26	3005	Spring		1
27	3003	Bushing		1
28	3006	Handle		1
29	BD920N-GB29	Cap Nut	M10	1
30	3008	Front Cover		1
31	TS-150304	Hex Socket Cap Screw	M6x16	3
32	BD920N-GB32	Pin	6x22	2
33	3022	Bracket		1
34	TS-150302	Hex Socket Cap Screw	M6x10	3
35	TS-1550071	Washer	M10	1
36	2009	Bushing		1
37	BD920N-GB37	Pin	4x14	1
38	3026	Plate		1
39	BD920N-GB38	Rivet		2
40	TS-150404	Hex Socket Cap Screw	M8x20	3
41	TS-155108	Lock Washer	M8	3
42	BD920N-GB42	Oil Cup	M8x1	4

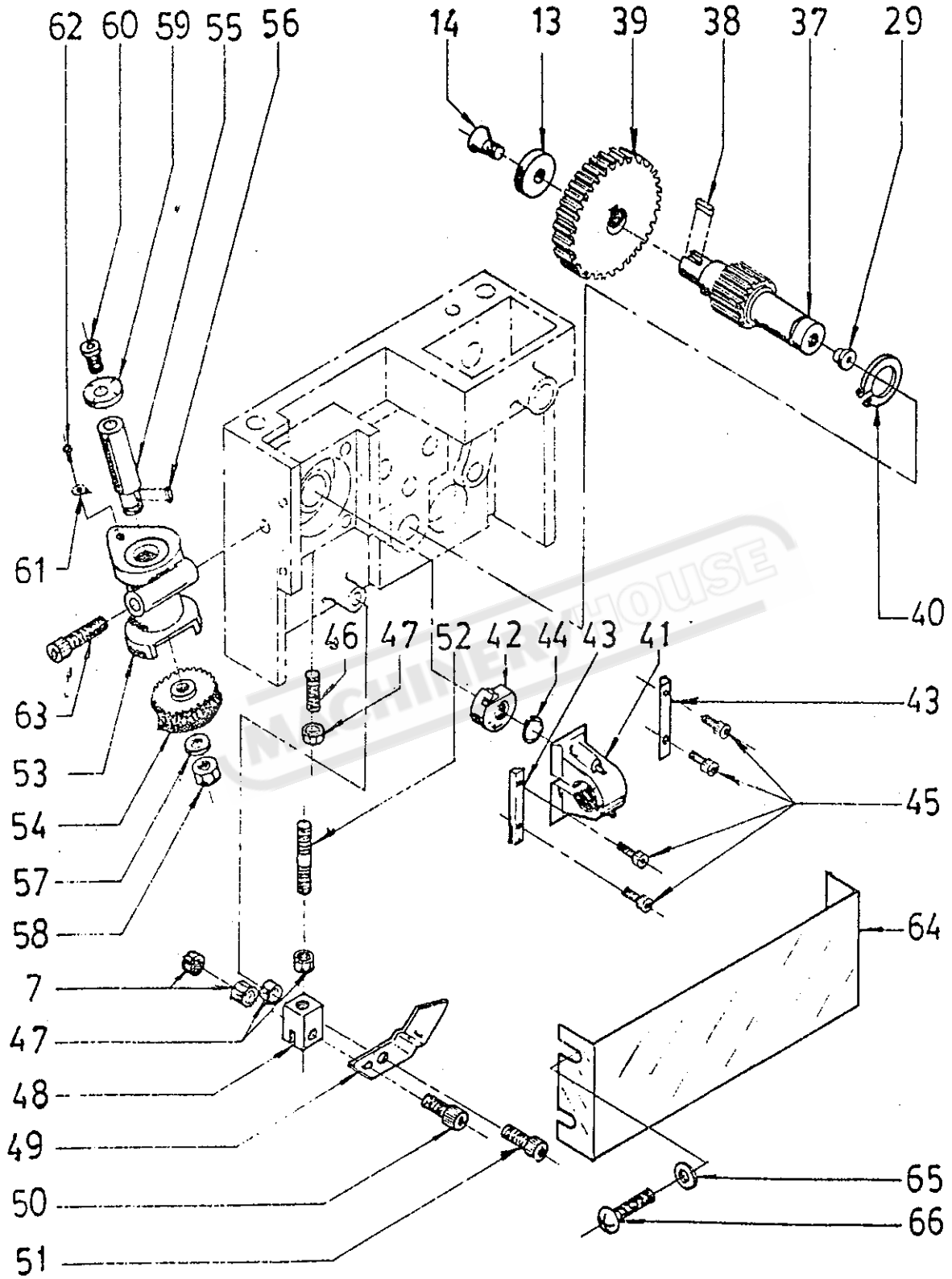
Apron Assembly



Apron Assembly

1	4006	Apron Casting		1
2	4034	Bracket		1
3	4033	Worm		1
4	BD920N-A04	Key		1
5	TS-150306	Hex Socket Cap Screw	M6x25	3
6	7003	Feed Screw		1
7	TS-1540021	Nut		1
8	TS-152105	Set Screw	M4x12	2
9	BD920N-A09	Steel Ball	5	2
10	4021	Spring		1
11	4022	Handle		1
12	TS-152301	Set Screw	M6x6	2
13	4005	Washer		3
14	BD920N-A14	Flat Head Screw	M6x3	3
15	4008	Gear	12T	1
16	BD920N-A16	Spring Pin	4x30	1
17	4007	Gear	43T	1
18	4015	Handle		1
19	4014	Gear	13T	1
20	4013	Bracket		1
21	4025	Spring		1
22	TS-152104	Set Screw	M4x10	1
23	TS-150307	Hex Socket Cap Screw	M6x30	2
24	4011	Gear	43T	1
25	4009	Shaft		1
26	BD920N-A26	Key	4x5	1
27	4010	Gear	41T	1
28	BD920N-A28	Ring	14	1
29	BD920N-A29	Oil Port	6	2
30	4004	Gear	17T	1
31	4003	Hand Wheel		1
32	BD920N-A32	Spring Pin	4x25	1
33	4002	Screw		1
34	4001	Handle		1
35	4018	Label		1

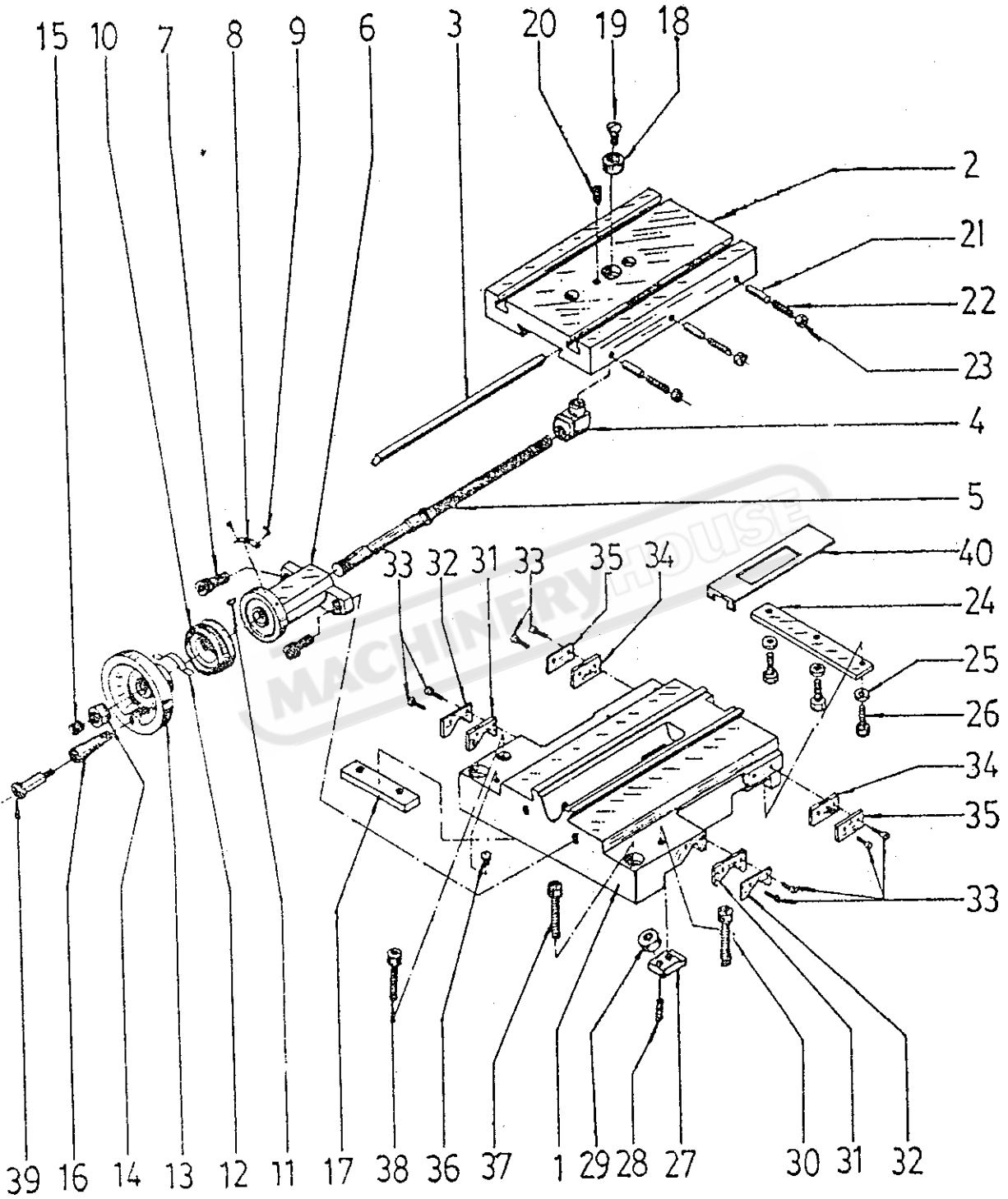
Apron Assembly (cont'd)



Apron Assembly (cont'd)

37	4016	Gear	18T	1
38	BD920N-A38	Key	4x11	1
39	4012	Worm Gear	42T	1
40	BD920N-A40	Ring	12	1
41	4017	Half Nut		1
42	4019	Locking Cam		1
43	4020	Guide		1
44	BD920N-A44	Ring	8	1
45	TS-150105	Hex Socket Cap Screw	M4x16	4
46	BD920N-A46	Set Screw	M5x25	1
47	TS-1540031	Hex Nut	M5	3
48	4030	Control Block		1
49	4032	Joint Plate		1
50	TS-150106	Hex Socket Cap Screw	M4x20	1
51	TS-150204	Hex Socket Cap Screw	M5x16	1
52	4031	Screw		1
53	4036	Thread Dial Body		1
54	4029	Worm Gear	54T	1
55	4028	Shaft		1
56	BD920N-A56	Key	3x10	1
57	TS-155006	Lock Washer	M8	1
58	TS-154005	Hex Nut	M8	1
59	4027	Dial		1
60	BD920N-A60	Screw	M6x60	1
61	4024	Pointer		1
62	BD920N-A62	Rivet	2x5	1
63	TS-150313	Hex Socket Cap Screw	M6x50	1
64	4023	Apron Cover		1
65	TS-155002	Washer	M4	4
66	TS-1532021	Pan Head Machine Screw	M4x8	4

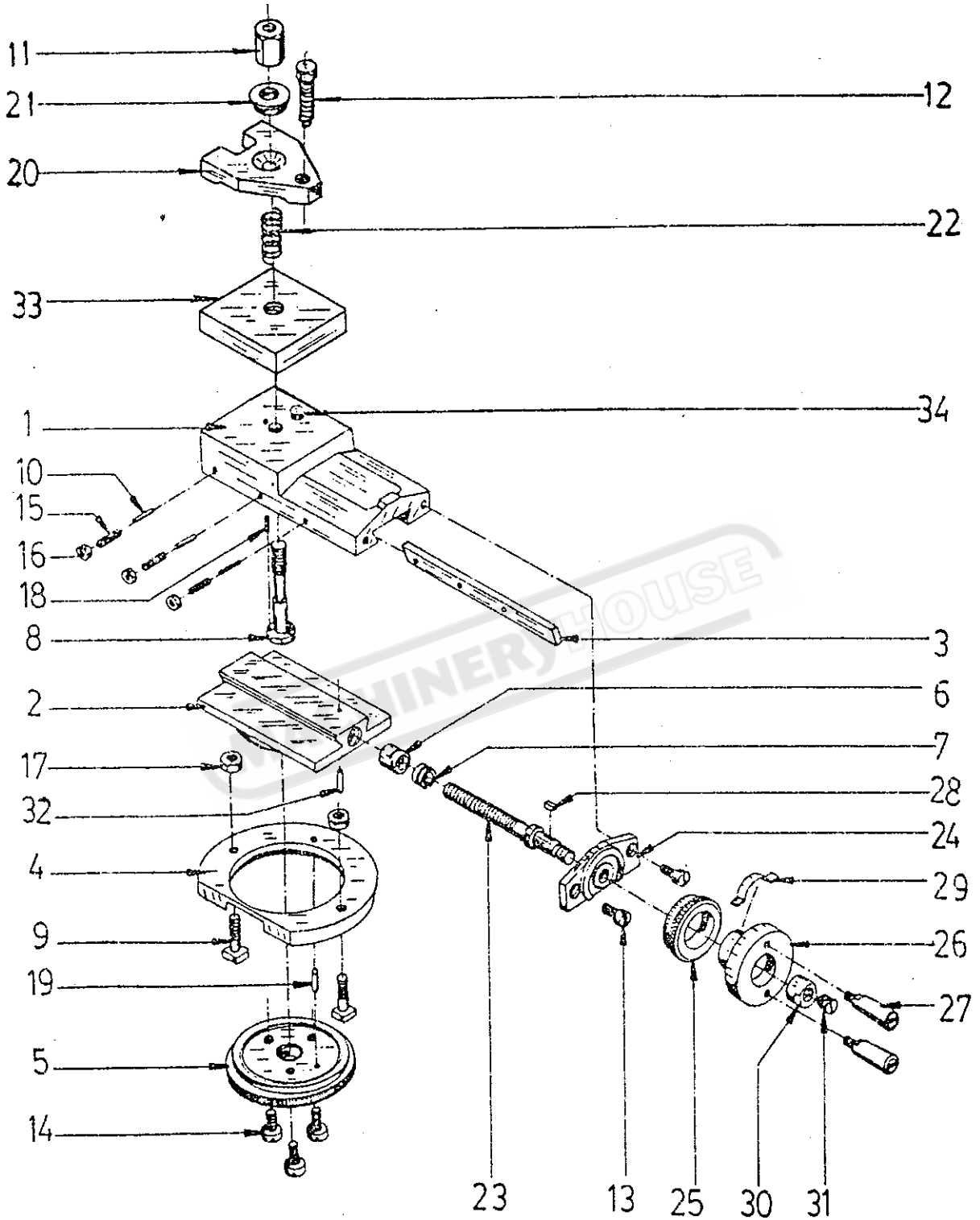
Saddle and Cross Slide Assembly



Saddle and Cross Slide Assembly

1	5005	Saddle		1
2	5006	Cross Slide		1
3	5002	Gib		1
4	5036	Nut		1
5	5018	Lead Screw		1
6	5019	Bracket		1
7	TS-150304	Hex Socket Cap Screw	M5x16	2
8	5026	Plate		1
9	BD920N-CS09	Rivet	2x5	2
10	5020	Graduated Ring		1
11	BD920N-CS11	Key	3x13	1
12	5023	Spring		1
13	5021	Hand Wheel		1
14	5022	Hex Nut		1
15	BD920N-CS15	Set Screw	M8x6	1
16	5025	Handle		1
17	5003	Slide Block		1
18	5037	Bushing		1
19	TS-1534041	Flat Head Screw	M6x12	1
20	TS-1521031	Set Screw	M4x8	1
21	5001	Pin		3
22	TS-152105	Set Screw	M4x12	3
23	TS-154002	Nut	M4	3
24	5016	Slide Block		1
25	TS-1550041	Washer	M6	3
26	TS-150304	Hex Socket Cap Screw	M6x16	3
27	5017	Clip		1
28	TS-152306	Set Screw	M6x20	1
29	TS-1540041	Nut	M6	1
30	TS-150306	Hex Socket Cap Screw	M6x25	1
31	5042	Way Cover		2
32	5041	Cover Mount		2
33	TS-1532012	Pan Head Screw	M4x6	8
34	5040	Way Cover		2
35	5039	Cover Mount		2
36	BD920N-CS36	Oil Port	6	1
37	TS-150406	Hex Socket Cap Screw	M8x30	2
38	TS-150306	Hex Socket Cap Screw	M6x25	2
39	5024	Handle Screw		1
40	5038	Cover Mount		1

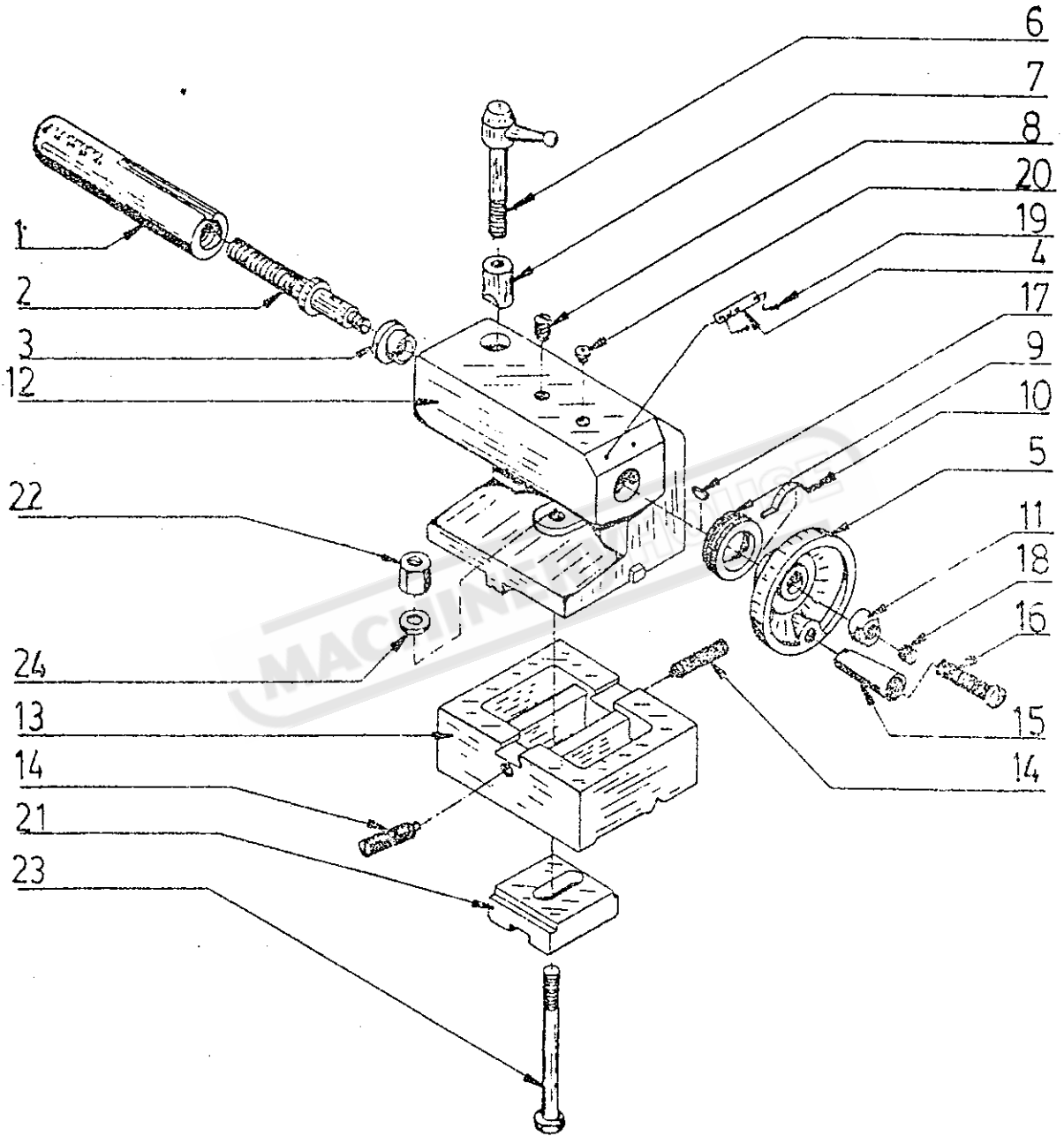
Top Slide Assembly



Top Slide Assembly

1	5011	Longitudinal Slide		1
2	5010	Swivel Base		1
3	5028	Gib		1
4	5008	Clamping Ring		1
5	5009	Micrometer Pan		1
6	5013	Lead Screw Nut		1
7	5014	Adjusting Screw		1
8	5033	Screw		1
9	5007	T-Screw		2
10	5027	Pin		3
11	5032	Nut		1
12	TS-1490051	Hex Cap Bolt	M8x30	1
13	TS-150202	Hex Socket Cap Screw	M5x10	2
14	BD920N-TS14	Flat Head Screw	M6x12	3
15	TS-152104	Set Screw	M4x10	3
16	TS-1550021	Nut	M4	3
17	TS-1550041	Nut	M6	2
18	BD920N-TS18	Lock Pin	3x8	1
19	BD920N-TS19	Lock Pin	3x14	1
20	5030	Tool Clamp		1
21	BD920N-TS21	Washer	8	1
22	5034	Spring		1
23	5012	Lead Screw		1
24	5043	Lead Screw Mount		1
25	5004	Micrometer Collar		2
26	5031	Handwheel		1
27	5015	Handle		2
28	BD920N-TS28	Key	3x13	1
29	5023	Feed Spring		1
30	5022	Nut		1
31	BD920N-TS31	Set Screw	M8x6	1
32	BD920N-TS32	Lock Pin	3x12	1
33	5029	Plate		1
34	5035	Pin		1

Tailstock Assembly



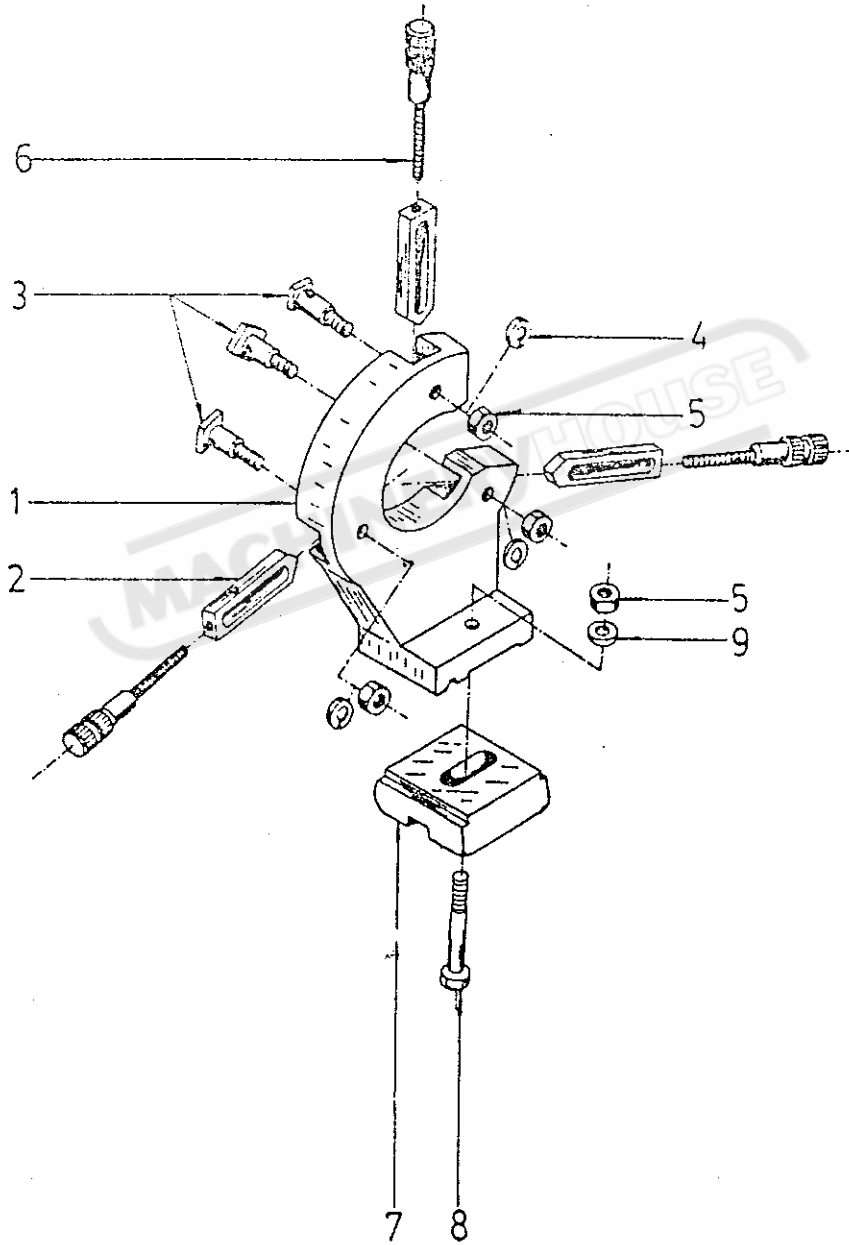
Tailstock Assembly

1	8009	Tailstock Ram		1
2	8010	Leadscrew		1
3	8011	Bushing		1
4	8012	Off Set Indicator Plate		1
5	8013	Hand Wheel		1
6	8008	Lever		1
7	8001	Clamp		1
8	BD920N-T08	Guide Pin	M5x10	1
9	8016	Micrometer Collar		1
10	8023	Feed Spring		1
11	8014	Nut		1
12	8005	Tailstock Body		1
13	8002	Tailstock Base		1
14	TS-152406	Set Screw	M8x25	2
15	4001	Handle		1
16	4002	Screw		1
17	BD920N-T17	Key	3x13	1
18	TS-152401	Set Screw	M8x8	1
19	BD920N-T19	Rivet		2
20	BD920N-T20	Oil Port	6	1
21	8015	Clamping Plate		2
22	8006	Nut	M8	1
23	8007	Screw		1
24	TS-1550081	Washer	M8	1

MACHINERYHOUSE

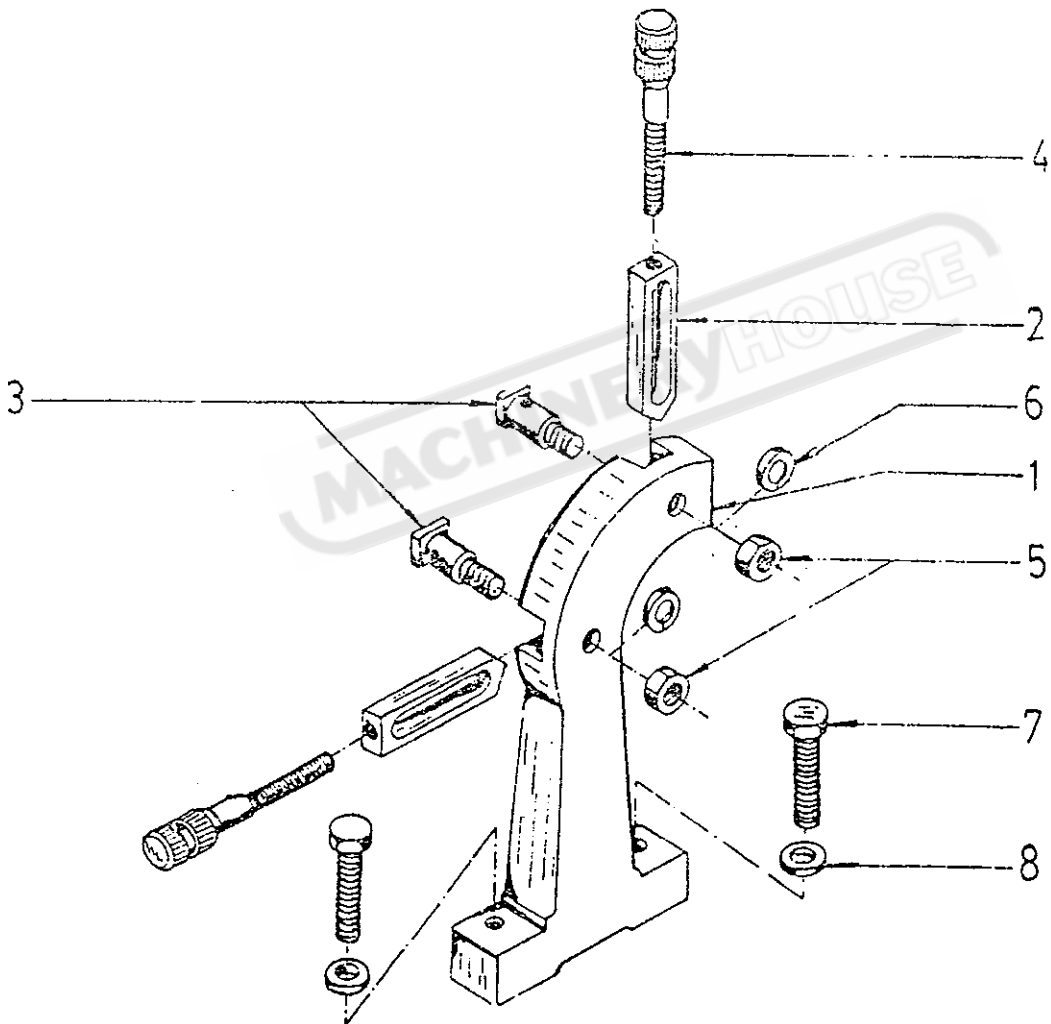
Center Rest Assembly

1.....	F1001.....	Rest Casting.....	1
2.....	F1002.....	Jaw.....	3
3.....	F1003.....	Screw.....	3
4.....	TS-155108.....	Lock Washer.....	M8.....
5.....	TS-1540061.....	Nut.....	M8.....
6.....	F1004.....	Adjusting Screw.....	3
7.....	F1005.....	Clamping Plate.....	1
8.....	TS-1490111.....	Hex Cap Bolt.....	M8x60.....
9.....	TS-1550061.....	Washer.....	M8.....



Travel Rest Assembly

1.....	F2001	Rest Casting.....	1	
2.....	F2002	Jaw	2	
3.....	F2003	Screw.....	2	
4.....	F2004	Adjusting Screw	2	
5.....	TS-1540061	Hex Nut.....	M8.....	2
6.....	TS-1551081	Lock Washer.....	M8.....	2
7.....	TS-150307	Hex Socket Cap Screw.....	M6x30.....	2
8.....	TS-1550041	Washer.....	M6.....	2



Lathe Bed Assembly

1.....	7001	Bed	1	
2.....	7002	Rack	1	
3.....	TS-150102	Hex Socket Cap Screw.....	M4x8	6
4.....	7003	Leadscrew	1	
5.....	7004	Bracket	1	
6.....	BD920N-B06	Oil Port.....	6	1
7.....	TS-1503051	Hex Socket Cap Screw.....	M6x20	2
8.....	7006	Nut	1	
9.....	BD920N-B09	Set Screw.....	M8x6	1
10.....	7005	Stud	M8x28	4
11.....	TS-1540061	Hex Nut.....	M8	4
12.....	TS-1523071	Set Screw.....	M6x25	4
13.....	TS-1551041	Lock Washer	M6	4
14.....	TS-1540041	Hex Nut.....	M6	4

